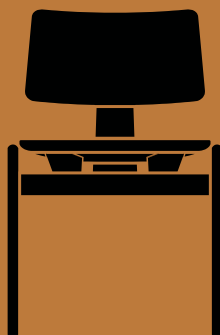


Daystak Side Chair <sup>RD1</sup>

Robin Day

1951



# Daystak Side Chair <sup>RD1</sup>

## Robin Day

### 1951



W: 50.3cm / 20in  
Seat H: 46.3cm / 18in



D: 48.4cm / 19in  
Seating D: 37.5cm / 15in

H: 76.1cm / 30in

#### Product description

Side Chair

#### Environment

Indoor

#### Material

Solid beech, beech and walnut veneer. This product has not been treated with any biocides.

#### Production process

The solid beech frame is cut using a CNC machine. The seat, back and back supports are made by form-pressing laminated veneer layers together with glue, and then cut into their final shape using a CNC machine. The entire chair is then sanded and the frame is glued together.

#### Variants

Beech, Beech & Walnut

#### Strength, durability and safety testing

The chair is tested for strength, durability and safety according to: EN 16139 Level 2 Seating, BIFMA

#### Dimensions

H: 76.1cm / 30in, W: 50.3cm / 20in,  
D: 48.4cm / 19in, Seat H: 46.3cm / 18in,  
Seat D: 37.5cm / 15in

#### Packaging dimensions

H: 93.2cm / 37in, W: 52.5cm / 21in,  
D: 51.4cm / 20in

#### Weight

4.5 kg / incl. packaging: 4.6kg

#### Gliders

Plastic gliders installed as standard. Felt gliders available upon request.

#### Stacking Quantity

5

#### Colli quantity

2 pcs per box

#### Certifications



FSC® Mix 70%

#### Impact

1. Made in a factory powered by certified renewable energy. 2. Designed for disassembly, enabling easier repair, renovation and replacement of parts. 3. Uses FSC® certified wood, supporting responsible management of the world's forests.

#### Manufacturer

Produced in Latvia by Kvist Industries A/S

#### Cleaning instructions

Please download our Material Care & Cleaning instructions through [www.andtradition.com](http://www.andtradition.com)



→ Beech



→ Beech & Walnut

→ Stock items  
Beech, Beech & Walnut

&Tradition®



W: 50.3cm / 20in  
Seat H: 46.3cm / 18in



D: 48.4cm / 19in  
Seating D: 37.5cm / 15in

H: 76.1cm / 30in

# Recycling & Disassembly

Daystak Side Chair <sup>RD1</sup>

## RECYLING

The Daystak Side Chair is built to last, and we hope that your Daystak Side Chair will serve you for many years. The chair is made from solid wood and wood veneer, and can be easily separated from its base. All metal and wooden parts can be separated and delivered to a suitable recycling station.

## SPARE PARTS

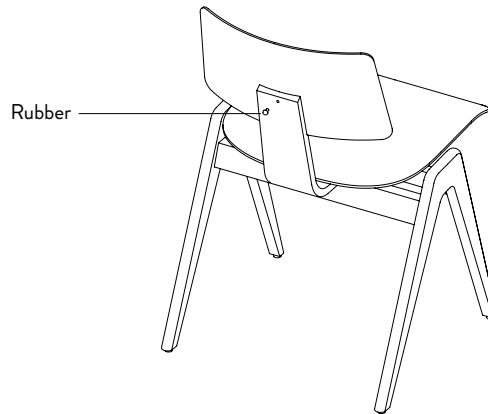
To purchase spare parts for your Daystak Side Chair, please write to our sales support team at [info@andtradition.com](mailto:info@andtradition.com) with your query.

## 5 YEAR WARRANTY

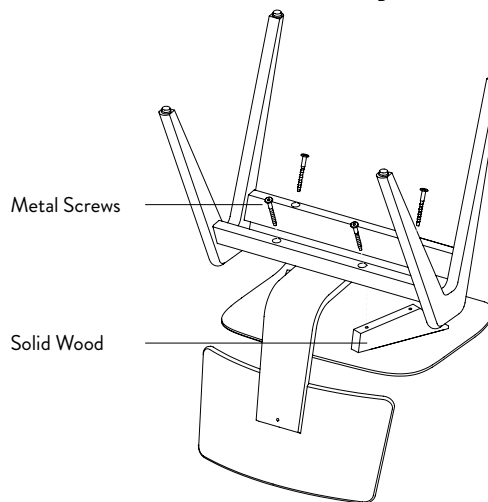
&Tradition provides a 5-year warranty with every Daystak Side Chair, which covers faults which were present at the time of purchase, or which have occurred as a result of a manufacturing defect. The warranty is valid from the date stated on the original invoice.

## DISASSEMBLY

1. Take off rubber stacking knob using pliers. Be careful, as it is mounted with glue.



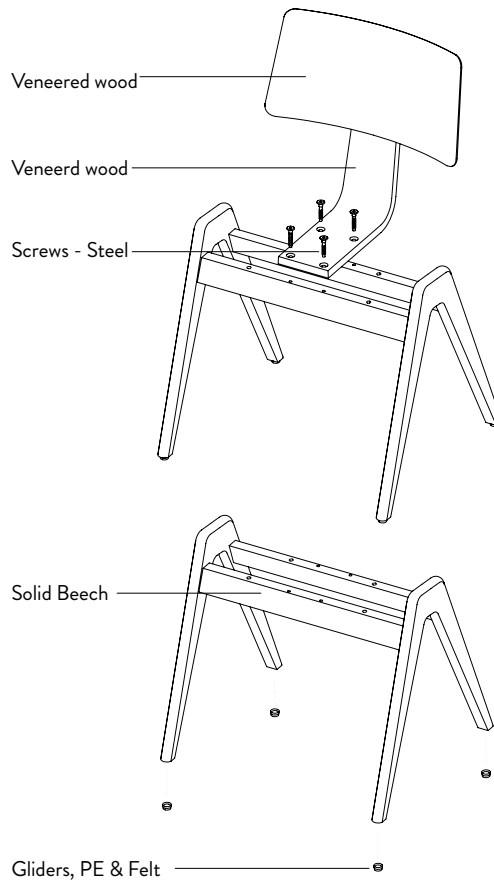
2. Remove the seat plate by removing the four screws underneath the seat.



# Recycling & Disassembly

Daystak Side Chair <sup>RD1</sup>

---



## DISASSEMBLY

3. Turn the chair back around and unscrew the four screws to separate the backrest from the base.

4. Remove the gliders using a flat headed screwdriver.