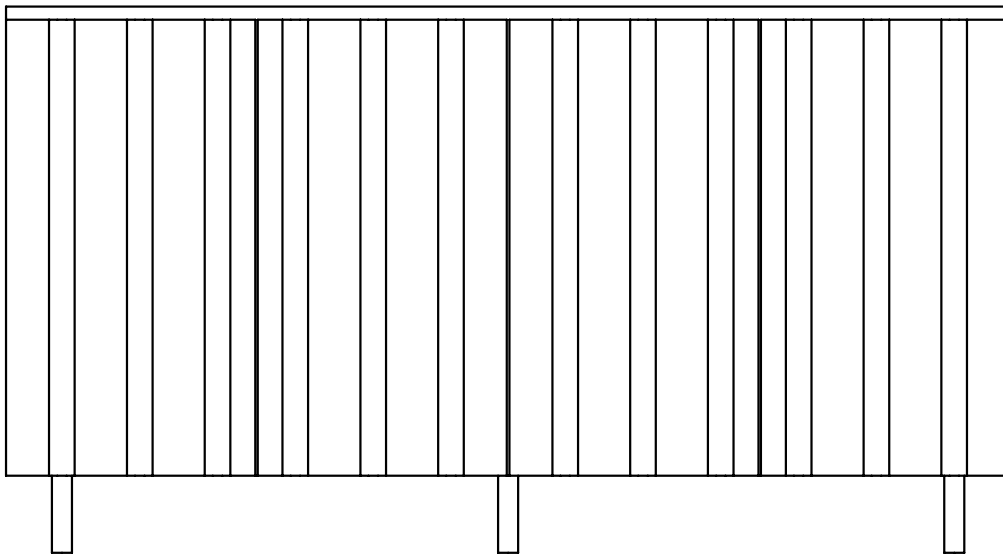


Rib Sideboard

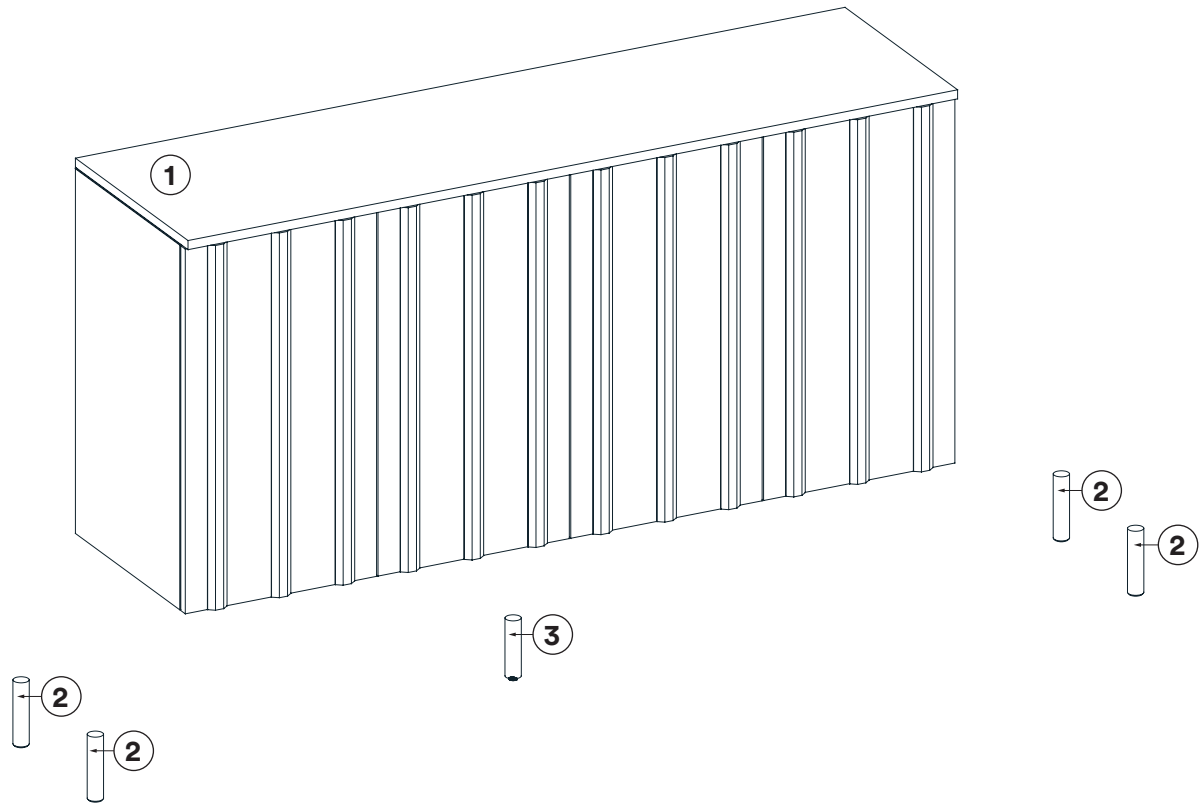
Assembly Instructions



normann

C O P E N H A G E N

1



H1



x2

H2

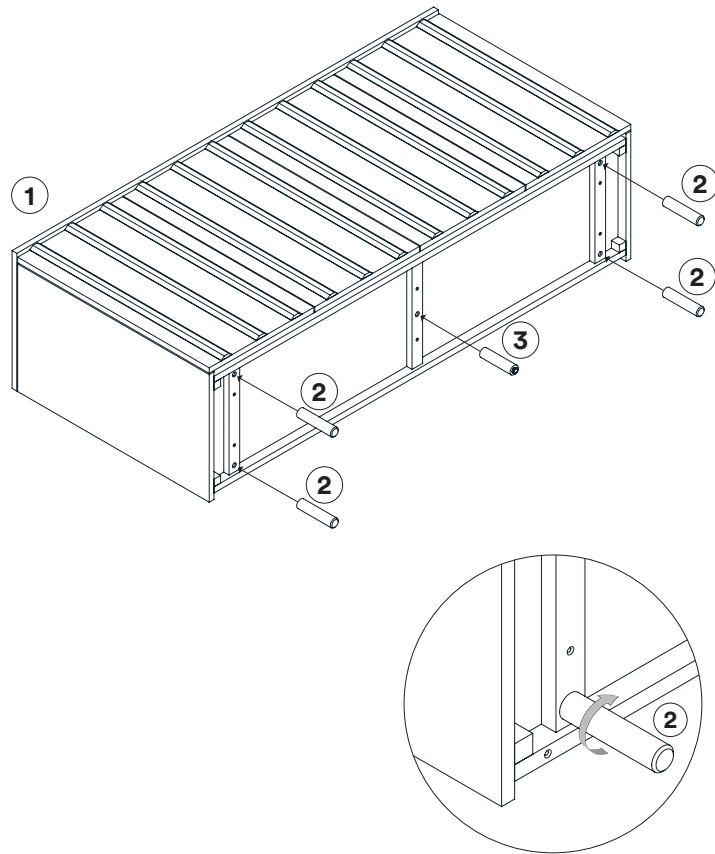


x1

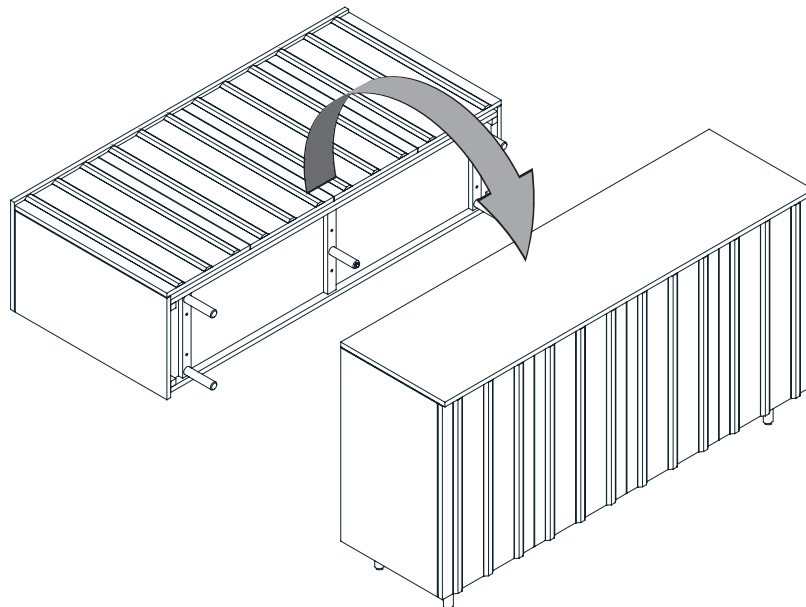
normann

C O P E N H A G E N

2



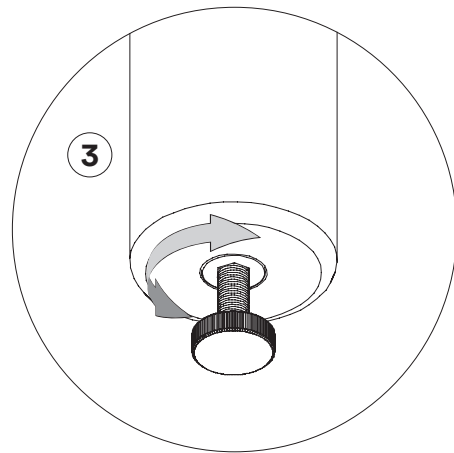
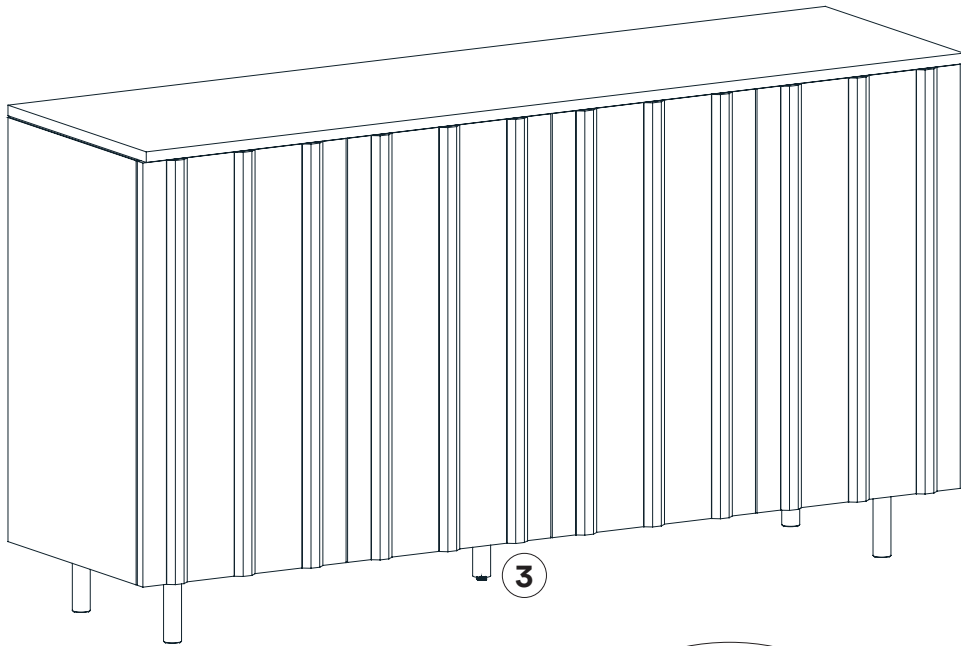
3



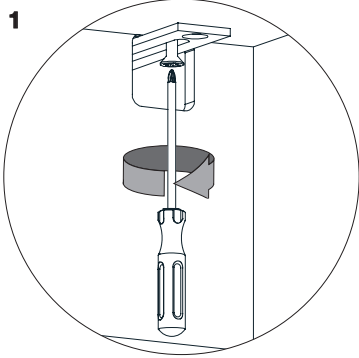
normann

C O P E N H A G E N

4

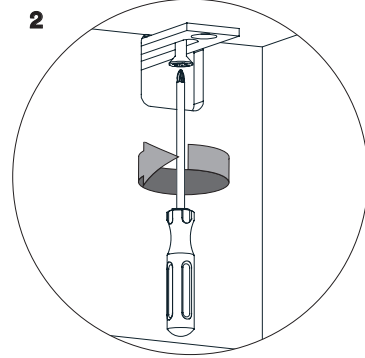


5



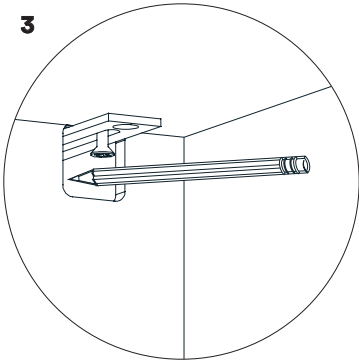
1 Place your product in the final position and remove the top drawers. Loosen the screws on the metal brackets just enough so that the slotted bracket can be extended to meet the wall.

2



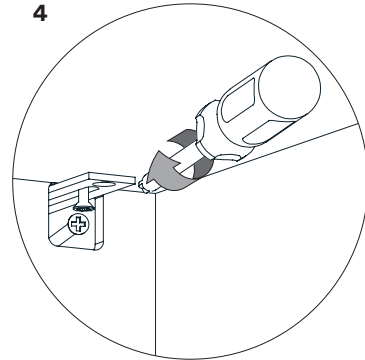
2 Then re-secure the screws.

3



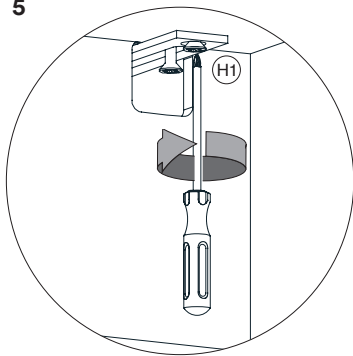
3 Mark the wall for drilling through the hole in the short face of the bracket. Then move the unit away from the wall so that the marked holes can be drilled. Ensure you use an appropriate fixing type for your wall (see page 6). Then return the unit to its final position

4

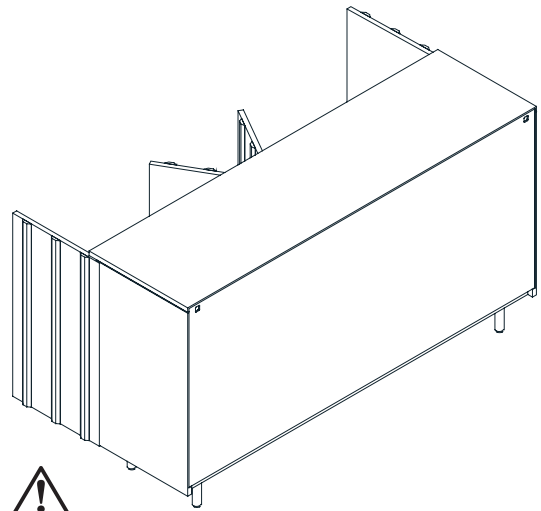


4 Secure the unit to the wall fixings with own screws through the brackets.

5

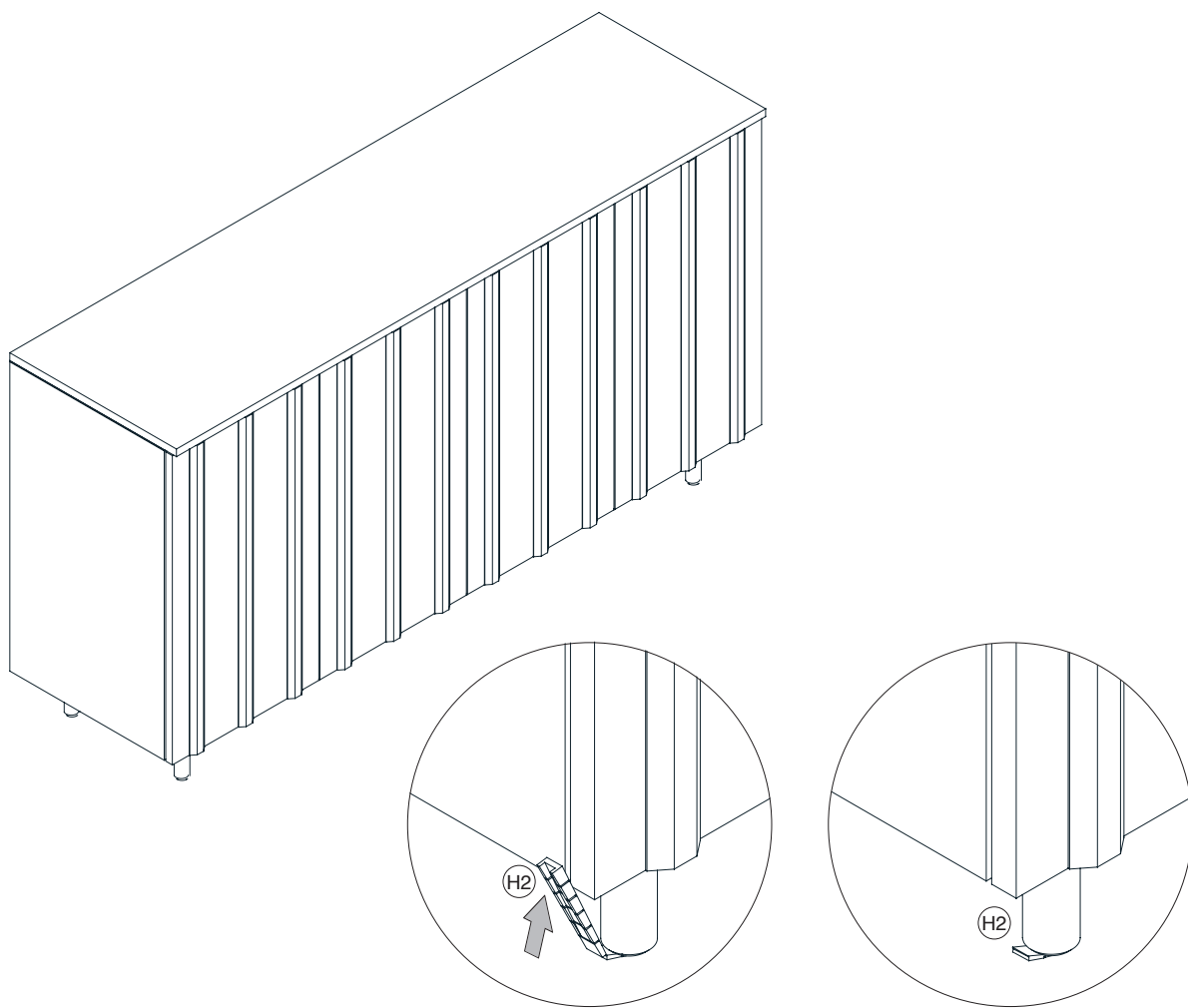


5 Finally add the extra securing screws (H1) to the holes in the long faces of the brackets and tighten.



WARNING Serious or fatal crushing injuries can occur from furniture tipping over. To prevent this furniture tipping over it must be permanently fixed to the wall.

6



7 A guide to wall mounting and fixings

WARNING Serious or fatal crushing injuries can occur from furniture tipping over. To prevent this furniture tipping over it must be permanently fixed to the wall.

Wall fixing screws are not included, since different wall materials require different types of screws/fixings. Please ensure you use the correct screws/fixings for your type of walls and seek professional advice if you are not sure.

Failure of the product due to incorrect fixings is the responsibility of the installer.

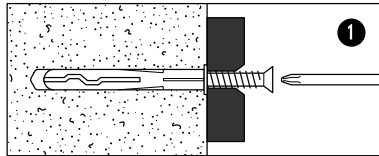
Important: When drilling into the walls always check that there are no hidden wires or pipes.

Types of walls

You can use one of the following types of wall plug if your walls are made of brick, breezeblock, concrete, stone or wood

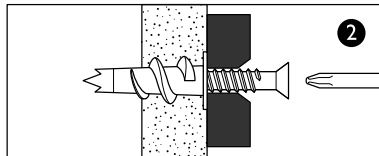


SAFETY Periodically check all fittings and wall fixings to ensure they have not come loose and retighten as necessary.



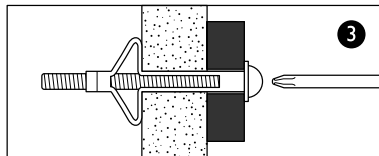
1. General Purpose wall plug

Generally aerated blocks should not be used to support heavy loads, use a specialist fitting in this case. For light loads, general - purpose wall plugs can be used.



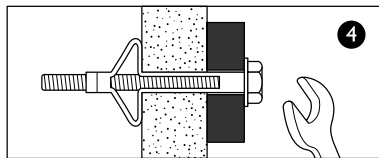
2. Plasterboard wall plug

For use when attaching light loads on to plasterboard partitions.



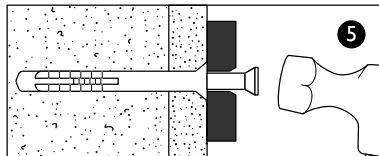
3. Cavity Fixing wall plug

For use with plasterboard partitions or hollow wooden doors.



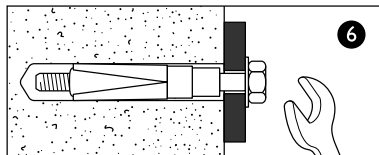
4. Cavity Fixing - Heavy Duty wall plug

For use when fitting or supporting heavy loads such as shelving, wall cabinets and coat racks.



5. Hammer Fixing wall plug

For use with walls stuck with plasterboard. The hammer fixing allows it to be fixed to the wall rather than the plasterboard. Always check the fixing is secure to the retaining wall.



6. Shield Anchor wall plug - Heavy loads

For use with heavier loads such as TV and Hi-Fi speakers and satellite dishes etc.

normann

C O P E N H A G E N